

FIRECHIEF 9V BATTERY SMOKE DETECTOR

FIRECHIEF[®]
making the world a safer place

MODEL:
FBSD1

Features

- Test button verifies battery and alarm operation
- Low battery indicator
- 3 Year warranty
- Fully certified to EN14604
- Supplied complete with battery
- Dimensions Ø100mm x 36.7mm
- Photo-electric detection method
- Sound output 85 dB @ 3 metres



FBSD1
117-1098



CE

www.firechiefglobal.com

FIRECHIEF 9V BATTERY SMOKE DETECTOR

FIRECHIEF®
making the world a safer place

This smoke detector, can send out sound and light alarm signal in the early stage of a fire if properly installed and maintained, in that case it will have extra time to control the fire or to evacuate at once. The product is designed for household or similar residential application use.

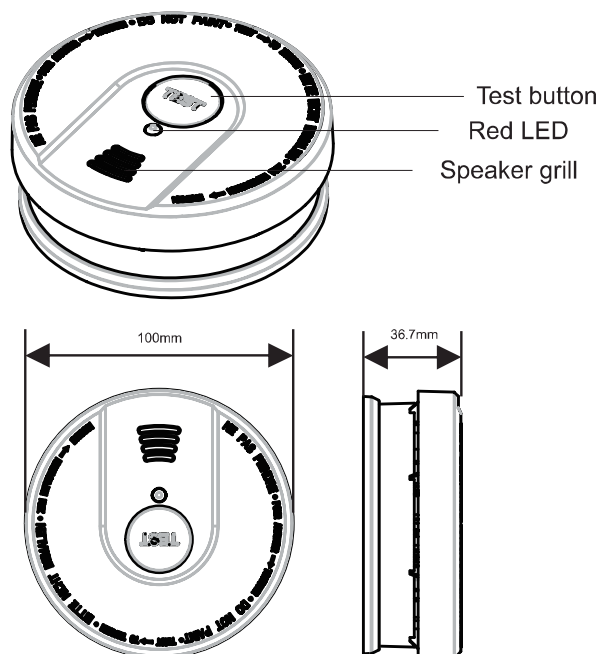
**MODEL:
FBSD1**



FBSD1
117-1098

Specifications

| | |
|------------------|--------------------------|
| Model | FBSD1 |
| Product Code | 117-1098 |
| Standard | EN14604:2005/AC:2008 |
| Voltage | DC 9V |
| Standby current | <10uA |
| Alarm current | <30mA |
| Sensor type | Photoelectric |
| Temperature | 0°C - +40°C |
| Ambient humidity | <95%R.H |
| Alarm indication | Red LED & Buzzer |
| Sound pressure | >85dB (around 3m) |
| N.W. | 89g (not inclu. battery) |
| Dimensions | Φ100* 36.7mm |
| Installation Way | Ceiling mounting |



Distributed by Fire Depot: T: 0330 999 2233

E: sales@firedepot.co.uk

W: www.firedepot.co.uk