



Barcode: 5060452082257

# trekdror™

Product code: TKD3

- » Robust steel tool drawers for vehicles and small spaces.
- » It's lightweight, stackable design is perfect for maximising on space.
- » Drawer extends out almost 80% of its depth and is easily removable.



Watch the TrekDror in action

## Product features



2x 5-lever  
deadlock



Stackable



No detachable  
parts



Suitable for  
vehicles



120kg  
UDL per drawer

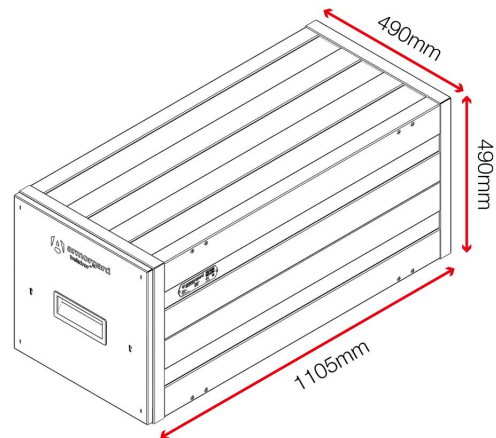


1000kg  
UDL on top

## Product specifications

Weight	58kg
Colour	Black grey: RAL 7021, Traffic red: RAL 3020
Suitable for	Vehicle
Finished coating	Powder coated
Material & thickness	1.5 steel
Quantity of keys	3 keys
Suitable for vehicle mounting	Yes
How are castors fitted?	Not applicable
Other sizes available	2 other sizes
Qty of shelves as standard	No

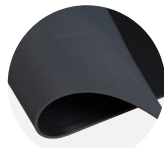
## Dimensions



## Optional extras - Contact Armorgard to find out more



Dividers TKD3D



Rubber mat TKD13-RM



Mounting kit TKDMPK



Stacking kit TKDSPK

